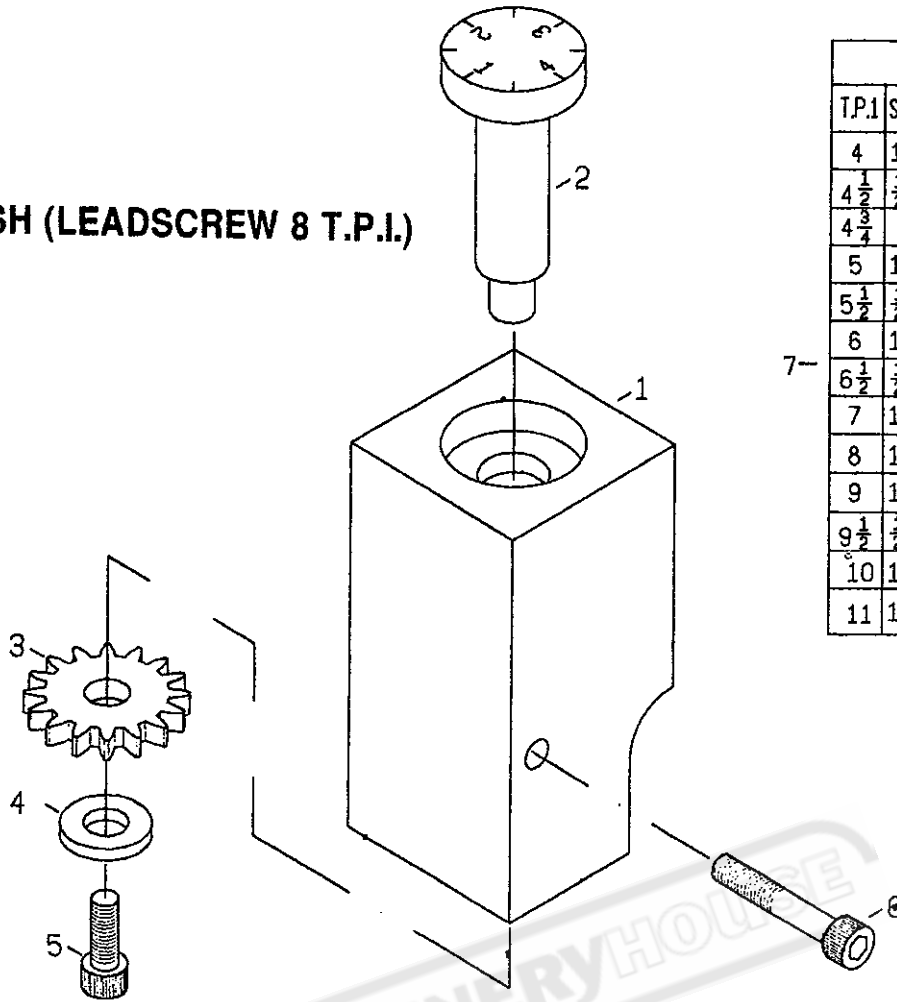
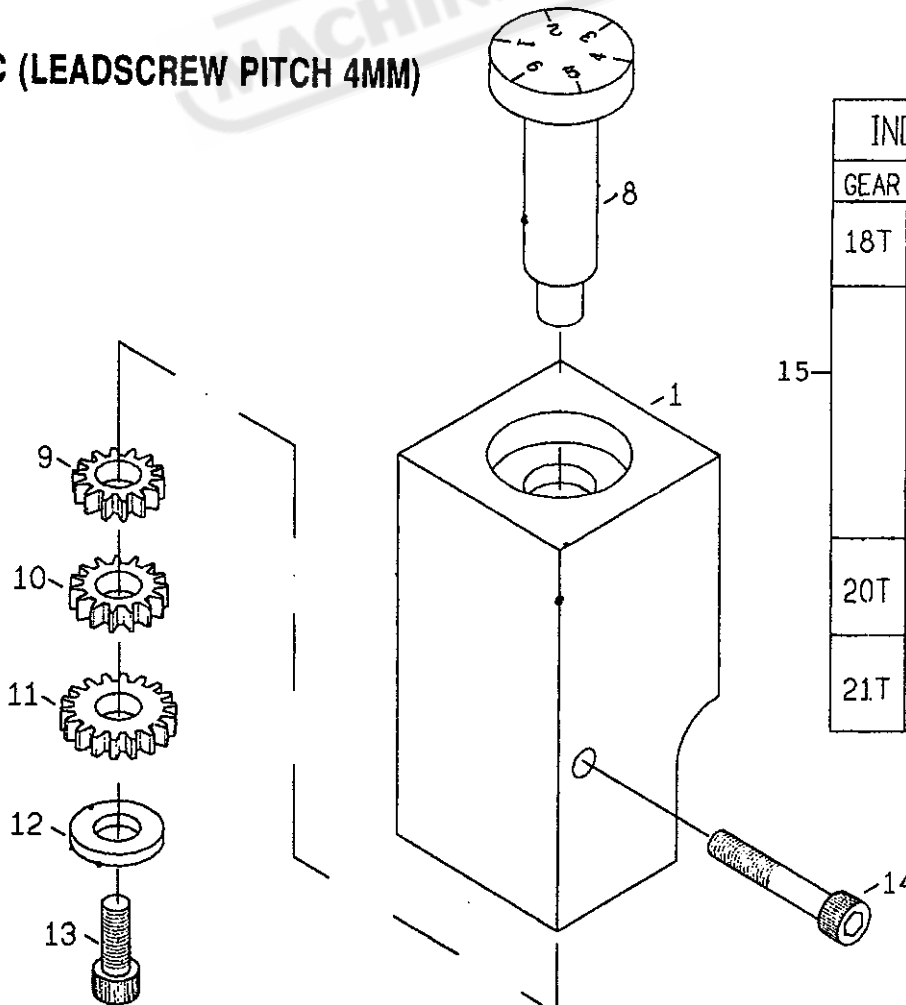


ENGLISH (LEADSCREW 8 T.P.I.)



| INDICATOR TABLE | | | | | |
|-----------------|----------------------------|-------|-------|-------|-------|
| T.P.1 | SCALE | T.P.1 | SCALE | T.P.1 | SCALE |
| 4 | 1-8 | 12 | 1-8 | 38 | 1-8 |
| 4 $\frac{1}{2}$ | $\frac{1}{2}, \frac{3}{4}$ | 13 | 1-4 | 40 | |
| 4 $\frac{3}{4}$ | 1 | 14 | 1-8 | 44 | |
| 5 | 1-4 | 16 | | 48 | |
| 5 $\frac{1}{2}$ | $\frac{1}{2}, \frac{3}{4}$ | 18 | 52 | | |
| 6 | 1-8 | 19 | 1-4 | 56 | |
| 6 $\frac{1}{2}$ | $\frac{1}{2}, \frac{3}{4}$ | 20 | 1-8 | 64 | |
| 7 | 1-4 | 22 | | 72 | |
| 8 | 1-8 | 24 | 1-8 | 76 | |
| 9 | 1-4 | 26 | | 80 | |
| 9 $\frac{1}{2}$ | $\frac{1}{2}, \frac{3}{4}$ | 28 | 96 | | |
| 10 | 1-8 | 32 | 104 | | |
| 11 | 1-4 | 36 | 112 | | |

METRIC (LEADSCREW PITCH 4MM)

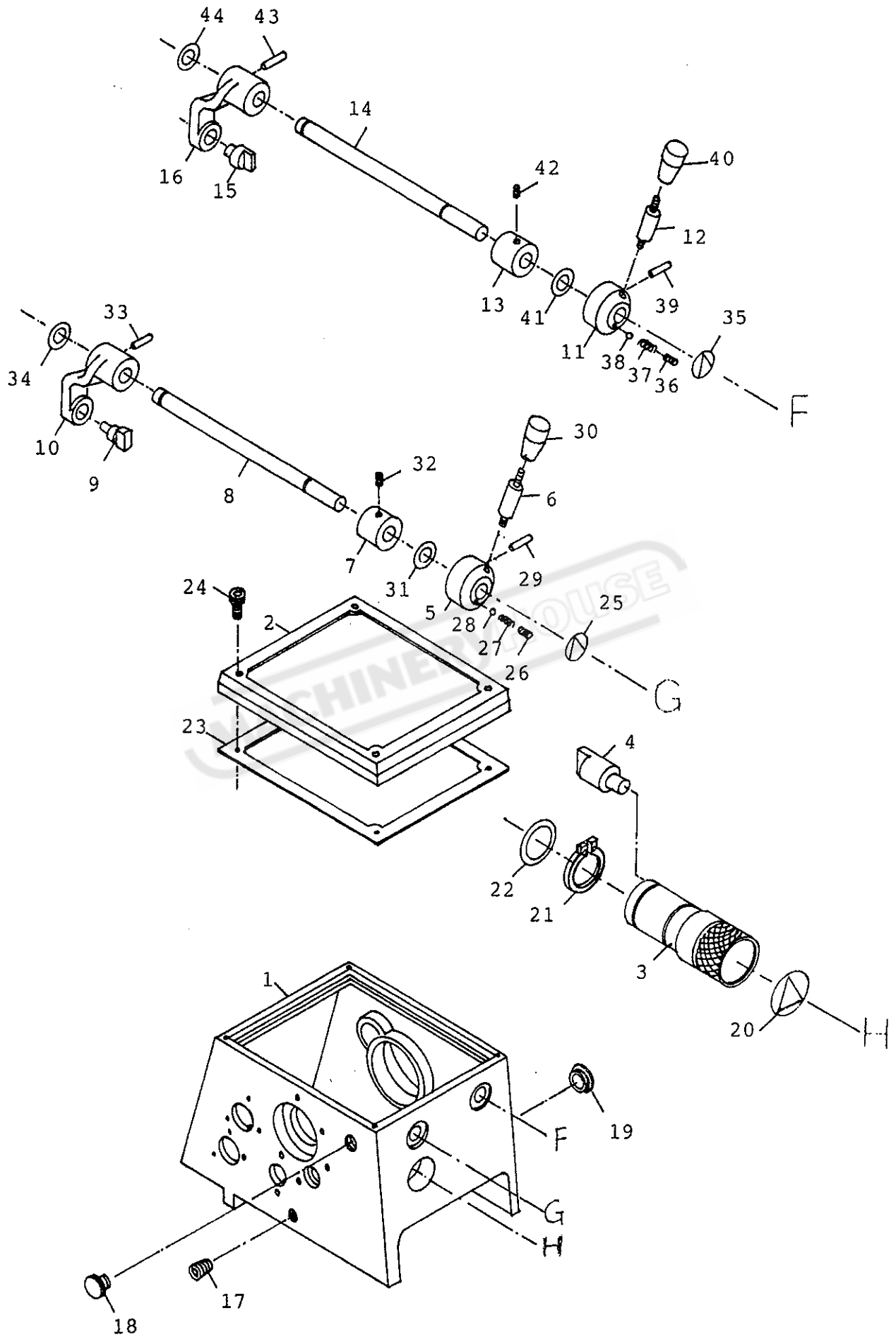


| INDICATOR TABLE | | | |
|-----------------|-------|------|---------|
| GEAR | PITCH | | SCALE |
| 18T | 0.45 | 0.9 | 1, 4 |
| | 0.3 | 0.6 | 13, 4 |
| 15- | 0.25 | 0.75 | 1-6 |
| | 0.5 | 1.5 | |
| | 1 | 3 | |
| | 2 | 6 | |
| 20T | 1.25 | 50 | 1, 4 |
| | 2.5 | | |
| 21T | 1.75 | 70 | 1, 3, 5 |
| | 3.5 | | |

THREADING DIAL

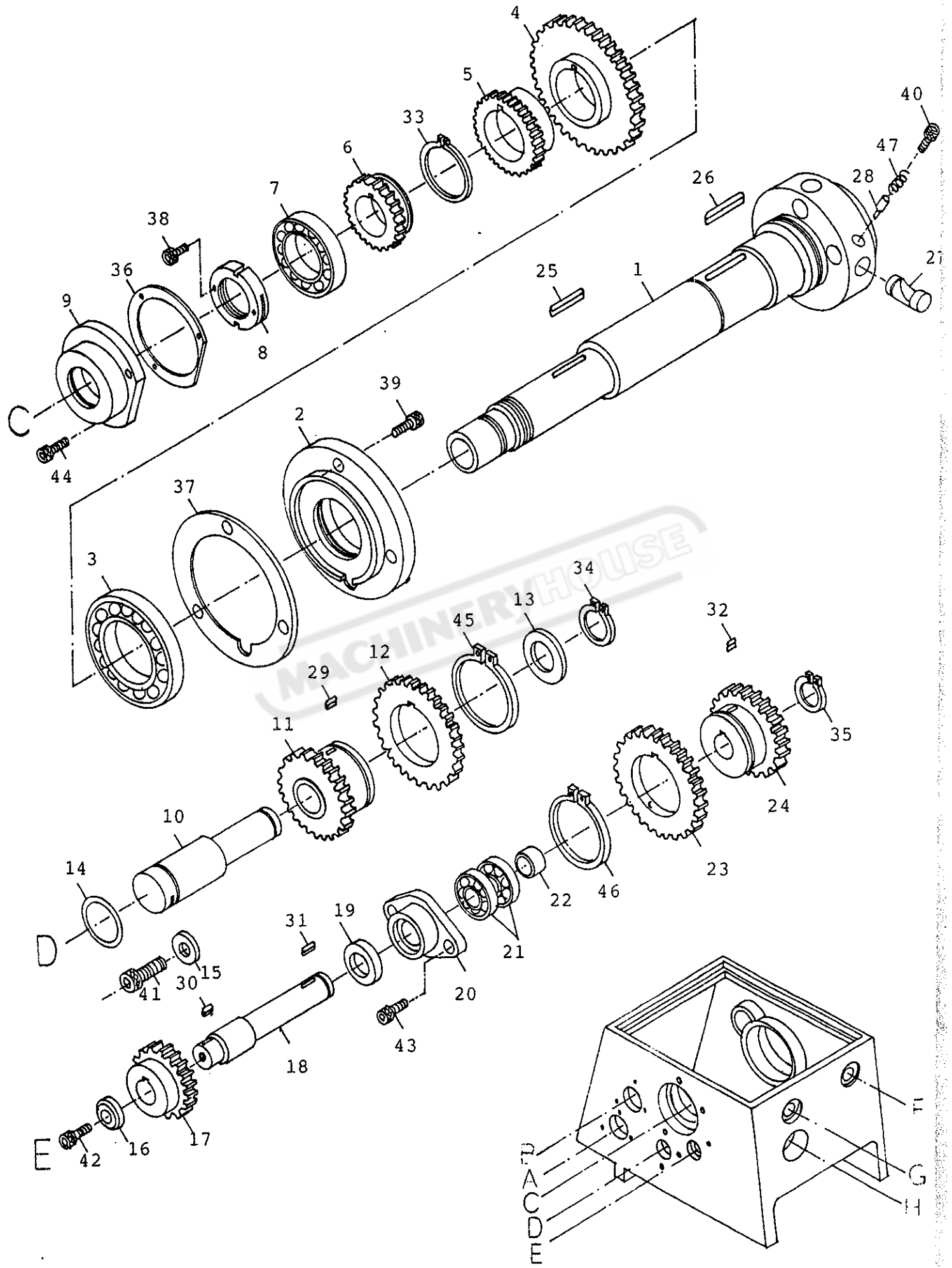
| REF.NO. | PART NO. | DESCRIPTION | Q'TY | REMARKS |
|---------|----------|-------------------|------|---------|
| 1 | 3334 | GUARD | 1 | |
| 2 | 3335 | THREAD DIAL BODY | 1 | |
| 3 | 3336 | GEAR | 1 | |
| 4 | 3375 | WASHER | 1 | |
| 5 | 3376 | SCREW | 1 | |
| 6 | 3377 | SCREW | 1 | |
| 7 | 3378 | PLATE | 1 | |
| 8 | 3326 | THREAD DIAL, BODY | 1 | |
| 9 | 3379 | GEAR | 1 | |
| 10 | 3380 | GEAR | 1 | |
| 11 | 3381 | GEAR | 1 | |
| 12 | 3382 | WASHER | 1 | |
| 13 | 3383 | SCREW | 1 | |
| 14 | 3384 | SCREW | 1 | |
| 15 | 3385 | PLATE | 1 | |

MACHINERYHOUSE



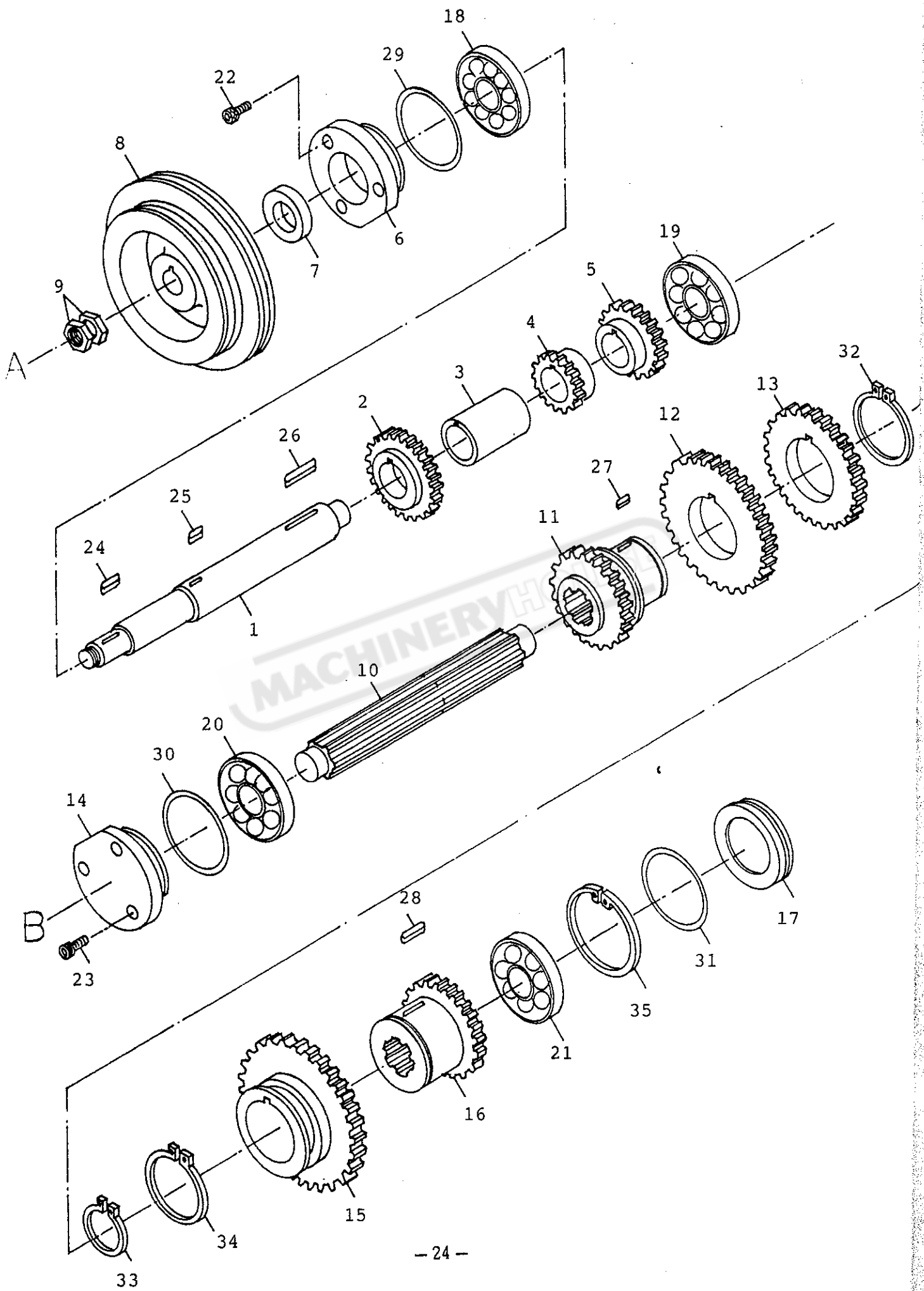
HEADSTOCK CASTING AND CONTROLS (GH TYPE)

| REF.NO. | PART NO. | DESCRIPTION | Q'TY | REMARKS |
|---------|----------|----------------|------|---------|
| 1 | A-3101 | HEADSTOCK | 1 | |
| 2 | A-3154 | COVER | 1 | |
| 3 | A-3156 | HANDLE | 1 | |
| 4 | A-3131 | SHIFT FORK | 1 | |
| 5 | A-3132 | HANDLE | 1 | |
| 6 | A-3133 | LEVER | 1 | |
| 7 | A-3137 | COLLAR | 1 | |
| 8 | A-3135 | SHAFT | 1 | |
| 9 | A-3138 | SHIFT FORK | 1 | |
| 10 | A-3136 | FORK ARMS | 1 | |
| 11 | A-3132 | HANDLE | 1 | |
| 12 | A-3133 | LEVER | 1 | |
| 13 | A-3137 | COLLAR | 1 | |
| 14 | A-3135 | SHAFT | 1 | |
| 15 | A-3138 | SHIFR FORK | 1 | |
| 16 | A-3136 | FORK ARMS | 1 | |
| 17 | A-3146 | SCREW | 1 | |
| 18 | A-3146 | SCREW | 1 | |
| 19 | A-3147 | OIL SIGHT | 1 | |
| 20 | A-3148 | INDEXING PLATE | 1 | |
| 21 | A-3149 | CIRCLIP | 1 | |
| 22 | A-3150 | OIL RING | 1 | |
| 23 | A-3151 | GASKET | 1 | |
| 24 | A-3152 | SCREW | 4 | |
| 25 | A-3153 | INDEXING PLATE | 1 | |
| 26 | A-3155 | SCREW | 1 | |
| 27 | A-3157 | SPRING | 1 | |
| 28 | A-3158 | STEEL BALL | 1 | |
| 29 | A-3159 | SPRING PIN | 1 | |
| 30 | A-3134 | PVC KNOB | 1 | |
| 31 | A-3160 | OIL RING | 1 | |
| 32 | A-3161 | SCREW | 1 | |
| 33 | A-3162 | SPRING PIN | 1 | |
| 34 | A-3163 | OIL RING | 1 | |
| 35 | A-3164 | INDEX PLATE | 1 | |
| 36 | A-3165 | SCREW | 1 | |
| 37 | A-3166 | SPRING | 1 | |
| 38 | A-3167 | STEEL BALL | 1 | |
| 39 | A-3168 | SPRING PIN | 1 | |
| 40 | A-3134 | PVC KNOB | 1 | |
| 41 | A-3169 | OIL RING | 1 | |
| 42 | A-3170 | SCREW | 1 | |
| 43 | A-3171 | SPRING PIN | 1 | |
| 44 | A-3172 | OIL RING | 1 | |



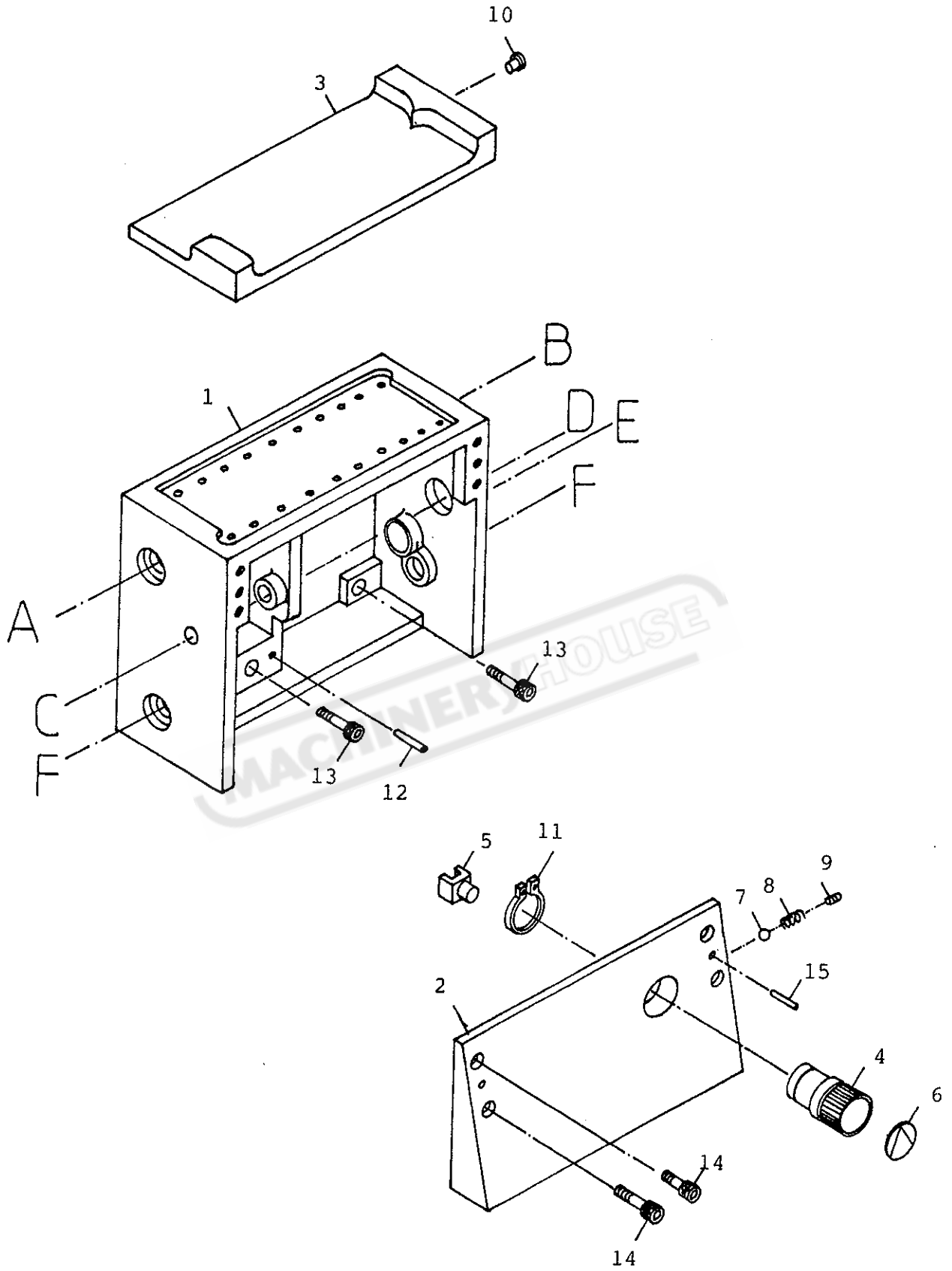
HEADSTOCK SPINDLE AND GEARS (GH TYPE)

| REF.NO. | PART NO. | DESCRIPTION | Q'TY | REMARKS |
|---------|----------|--------------|------|---------|
| 1 | A-3101 | MAIN SPINDLE | 1 | |
| 2 | A-3103 | BEARING CAP | 1 | |
| 3 | A-3173 | BEARING | 1 | |
| 4 | A-3104 | GEAR | 1 | |
| 5 | A-3105 | GEAR | 1 | |
| 6 | A-3106 | GEAR | 1 | |
| 7 | A-3174 | BEARING | 1 | |
| 8 | A-3107 | NUT | 1 | |
| 9 | A-3108 | BEARING CAP | 1 | |
| 10 | A-3112 | SHAFT | 1 | |
| 11 | A-3113 | GEAR | 1 | |
| 12 | A-3110-1 | GEAR | 1 | |
| 13 | A-3114 | WASHER | 1 | |
| 14 | A-3115 | WASHER | 1 | |
| 15 | A-3175 | WASHER | 1 | |
| 16 | A-3140 | WASHER | 1 | |
| 17 | A-3119 | GEAR | 1 | |
| 18 | A-3109 | SHAFT | 1 | |
| 19 | A-3176 | OIL SEAL | 1 | |
| 20 | A-3111 | BEARING CAP | 1 | |
| 21 | A-3177 | BEARING | 2 | |
| 22 | A-3141 | WASHER | 1 | |
| 23 | A-3110-1 | GEAR | 1 | |
| 24 | A-3110 | GEAR | 1 | |
| 25 | A-3178 | KEY | 1 | |
| 26 | A-3179 | KEY | 1 | |
| 27 | A-3180 | CAMLOCK | 3 | |
| 28 | A-3181 | CAMLOCK STUD | 3 | |
| 29 | A-3182 | KEY | 1 | |
| 30 | A-3183 | KEY | 1 | |
| 31 | A-3184 | KEY | 1 | |
| 32 | A-3185 | KEY | 1 | |
| 33 | A-3186 | CIRCLIPT | 1 | |
| 34 | A-3187 | CIRCLIPT | 1 | |
| 35 | A-3188 | CIRCLIPT | 1 | |
| 36 | A-3189 | GASKET | 1 | |
| 37 | A-3190 | GASKET | 1 | |
| 38 | A-3191 | SCREW | 2 | |
| 39 | A-3192 | SCREW | 3 | |
| 40 | A-3193 | SCREW | 3 | |
| 41 | A-3194 | SCREW | 1 | |
| 42 | A-3195 | SCREW | 1 | |
| 43 | A-3196 | SCREW | 2 | |
| 44 | A-3197 | SCREW | 3 | |
| 45 | A-3198 | CIRCLIPT | 1 | |
| 46 | A-3199 | CIRCLIPR | 1 | |
| 47 | A-3200 | SPRING | 3 | |



HEADSTOCK GEARS (GH TYPE)

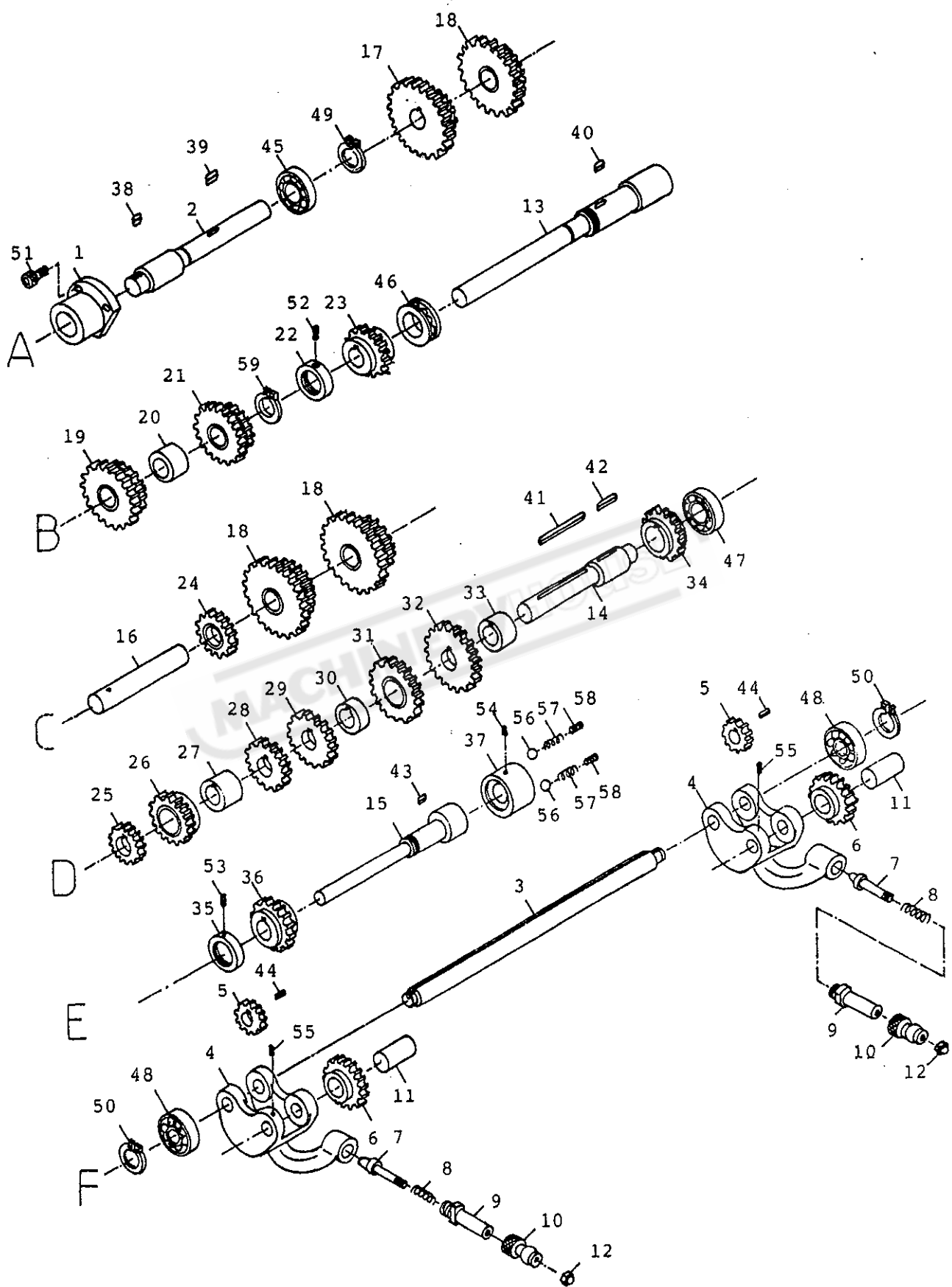
| REF.NO. | PART NO. | DESCRIPTION | Q'TY | REMARKS |
|---------|----------|--------------|------|---------|
| 1 | A-3116 | SHAFT | 1 | |
| 2 | A-3117 | GEAR | 1 | |
| 3 | A-3118 | GEAR BUSHING | 1 | |
| 4 | A-3119 | GEAR | 1 | |
| 5 | A-3120 | GEAR | 1 | |
| 6 | A-3125 | BEARING CAP | 1 | |
| 7 | A-3201 | FOL SEAL | 1 | |
| 8 | A-3127 | V-BELT PULLY | 1 | |
| 9 | A-3128 | NUT | 2 | |
| 10 | A-3122 | SHAFT | 1 | |
| 11 | A-3124 | GEAR | 1 | |
| 12 | A-3124-1 | GEAR | 1 | |
| 13 | A-3124-2 | GEAR | 1 | |
| 14 | A-3121 | BEARING CAP | 1 | |
| 15 | A-3123-1 | GEAR | 1 | |
| 16 | A-3123 | GEAR | 1 | |
| 17 | A-3126 | BEARING CAP | 1 | |
| 18 | A-3202 | BEARING | 1 | |
| 19 | A-3203 | BEARING | 1 | |
| 20 | A-3204 | BEARING | 1 | |
| 21 | A-3205 | BEARING | 1 | |
| 22 | A-3206 | SCREW | 3 | |
| 23 | A-3207 | SCREW | 3 | |
| 24 | A-3208 | KEY | 1 | |
| 25 | A-3209 | KEY | 1 | |
| 26 | A-3210 | KEY | 1 | |
| 27 | A-3211 | KEY | 1 | |
| 28 | A-3212 | KEY | 1 | |
| 29 | A-3213 | OIL RING | 1 | |
| 30 | A-3214 | OIL RING | 1 | |
| 31 | A-3215 | OIL RING | 1 | |
| 32 | A-3216 | CIRCLIPT | 1 | |
| 33 | A-3217 | CIRCLIPT | 1 | |
| 34 | A-3218 | CIRCLIPT | 1 | |
| 35 | A-3219 | CIRCLIPT | 1 | |



METRIC GEAR BOX

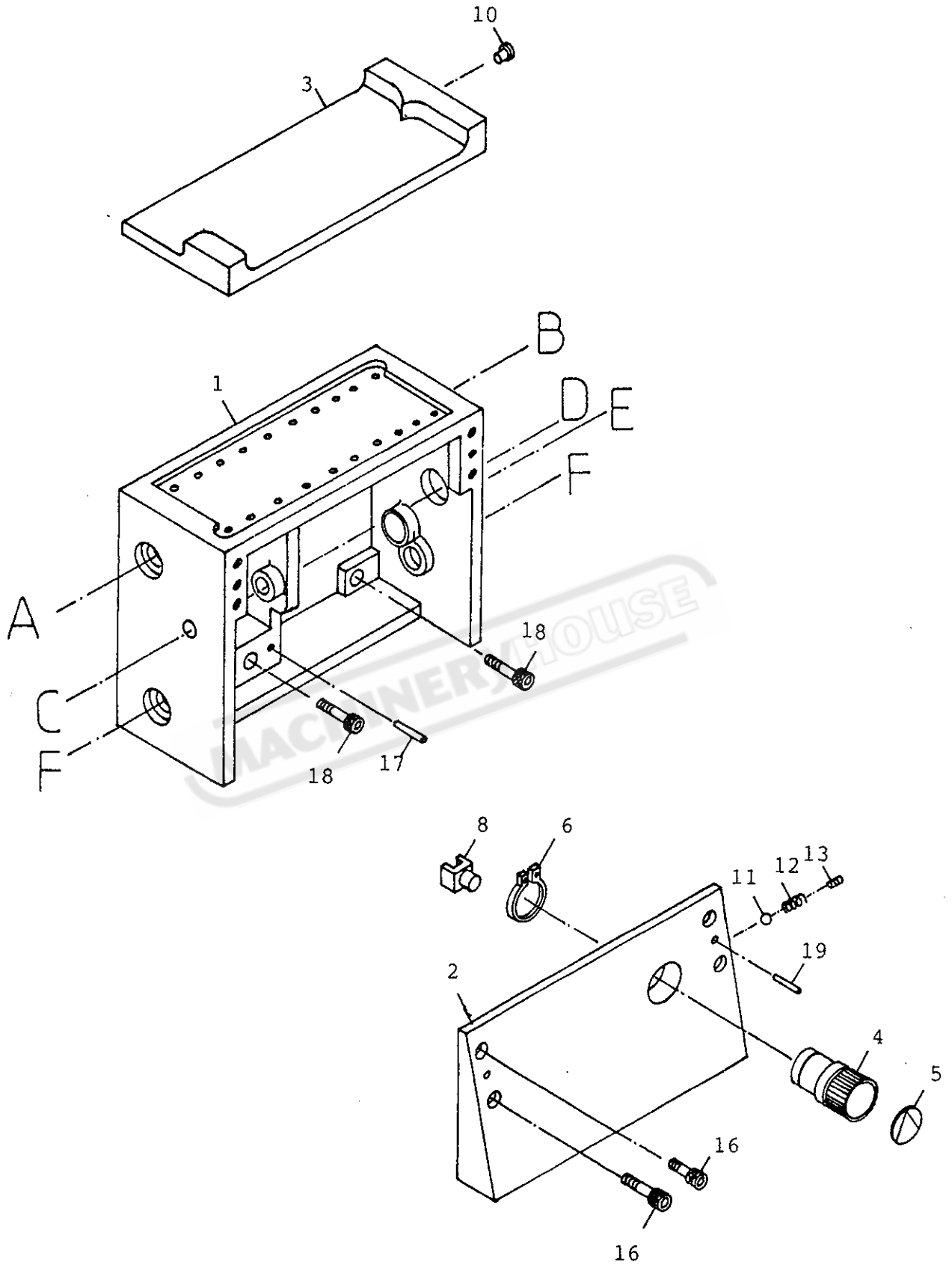
| REF.NO. | PART NO. | DESCRIPTION | Q'TY | REMARKS |
|---------|----------|----------------|------|---------|
| 1 | 3201-1 | GEAR BOX | 1 | |
| 2 | 3202-1 | FRONT COVER | 1 | |
| 3 | 3613 | COVER | 1 | |
| 4 | 3250 | HANDLE | 1 | |
| 5 | 3251 | SHIFT FORK | 1 | |
| 6 | 3264 | INDEXING PLATE | 1 | |
| 7 | 3255 | STEEL BALL | 1 | |
| 8 | 3256 | SPRING | 1 | |
| 9 | 3257 | SCREW | 1 | |
| 10 | 3254 | OIL INLET | 1 | |
| 11 | 3265 | CIRCLIP | 1 | |
| 12 | 3261 | SPRING PIN | 1 | |
| 13 | 3262 | SCREW | 2 | |
| 14 | 3260 | SCREW | 4 | |
| 15 | 3263 | SPRING PIN | 1 | |

MACHINERYHOUSE



METRIC GEAR BOX

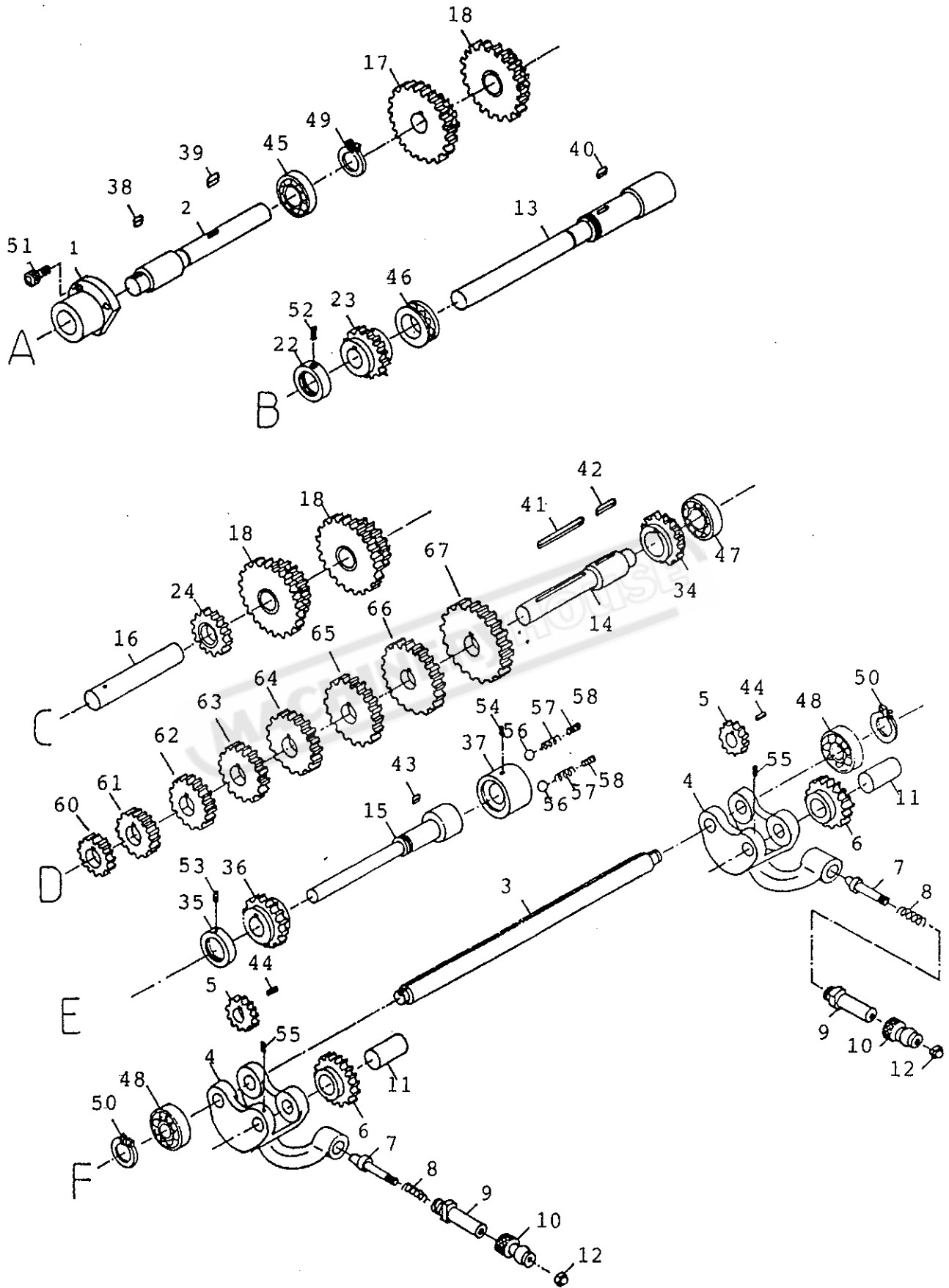
| REF.NO. | PART NO. | DESCRIPTION | Q'TY | REMARKS |
|---------|----------|-------------|------|---------|
| 1 | 3203 | COVER | 1 | |
| 2 | 3204 | SHAFT | 1 | |
| 3 | 3222 | SHAFT | 1 | |
| 4 | 3223 | SHIFT FRAME | 2 | |
| 5 | 3224 | GEAR | 2 | |
| 6 | 3226 | GEAR | 2 | |
| 7 | 3232 | PLUNGER | 2 | |
| 8 | 3266 | SPRING | 2 | |
| 9 | 3233 | BUSH | 2 | |
| 10 | 3234 | KNOB | 2 | |
| 11 | 3225 | SHAFT | 2 | |
| 12 | 3267 | NUT | 2 | |
| 13 | 3207 | SHAFT | 1 | |
| 14 | 3209 | SHAFT | 1 | |
| 15 | 3220 | SHAFT | 1 | |
| 16 | 3253 | SHAFT | 1 | |
| 17 | 3205 | GEAR | 1 | |
| 18 | 3206 | GEAR | 3 | |
| 19 | 3243 | GEAR | 1 | |
| 20 | 3242 | COLLAR | 1 | |
| 21 | 3268 | GEAR | 1 | |
| 22 | 3240 | NUT | 1 | |
| 23 | 3208 | GEAR | 1 | |
| 24 | 3269 | GEAR | 1 | |
| 25 | 3214 | GEAR | 1 | |
| 26 | 3244 | GEAR | 1 | |
| 27 | 3245 | COLLAR | 1 | |
| 28 | 3216 | GEAR | 1 | |
| 29 | 3246 | GEAR | 1 | |
| 30 | 3249 | COLLAR | 1 | |
| 31 | 3247 | GEAR | 1 | |
| 32 | 3248 | GEAR | 1 | |
| 33 | 3245 | COLLAR | 1 | |
| 34 | 3219 | GEAR | 1 | |
| 35 | 3240 | NUT | 1 | |
| 36 | 3208 | GEAR | 1 | |
| 37 | 3221 | COLLAR | 1 | |
| 38 | 3270 | KEY | 1 | |
| 39 | 3271 | KEY | 1 | |
| 40 | 3272 | KEY | 1 | |
| 41 | 3273 | KEY | 1 | |
| 42 | 3274 | KEY | 1 | |
| 43 | 3275 | KEY | 1 | |
| 44 | 3276 | KEY | 2 | |
| 45 | 3277 | BEARING | 1 | |
| 46 | 3278 | BEARING | 1 | |
| 47 | 3279 | BEARING | 1 | |
| 48 | 3280 | BEARING | 2 | |
| 49 | 3281 | CIRCLIP | 1 | |
| 50 | 3282 | CIRCLIP | 2 | |
| 51 | 3283 | SCREW | 3 | |
| 56 | 3284 | STEEL BALL | 2 | |
| 57 | 3285 | SPRING | 2 | |
| 58 | 3286 | SCREW | 2 | |
| 59 | 3287 | CIRCLIP | 1 | |



INCH GEAR BOX (GEAR HEAD TYPE)

| REF.NO. | PART NO. | DESCRIPTION | Q'TY | REMARKS |
|---------|----------|----------------|------|---------|
| 1 | 3201 | GEAR BOX | 1 | |
| 2 | 3202 | FRONT COVER | 1 | |
| 3 | 3613 | COVER | 1 | |
| 4 | 3230-1 | HANDLE | 1 | |
| 5 | 3264 | INDEXING PLATE | 1 | |
| 6 | 3265 | CIRCLIP | 1 | |
| 8 | 3228 | SHIFT FORK | 1 | |
| 10 | 3254 | OIL INLET | 1 | |
| 11 | 3255 | STEEL BALL | 1 | |
| 12 | 3256 | SPRING | 1 | |
| 13 | 3257 | SCREW | 1 | |
| 16 | 3260 | SCREW | 4 | |
| 17 | 3261 | SPRING PIN | 1 | |
| 18 | 3262 | SCREW | 2 | |
| 19 | 3263 | SPRING PIN | 1 | |

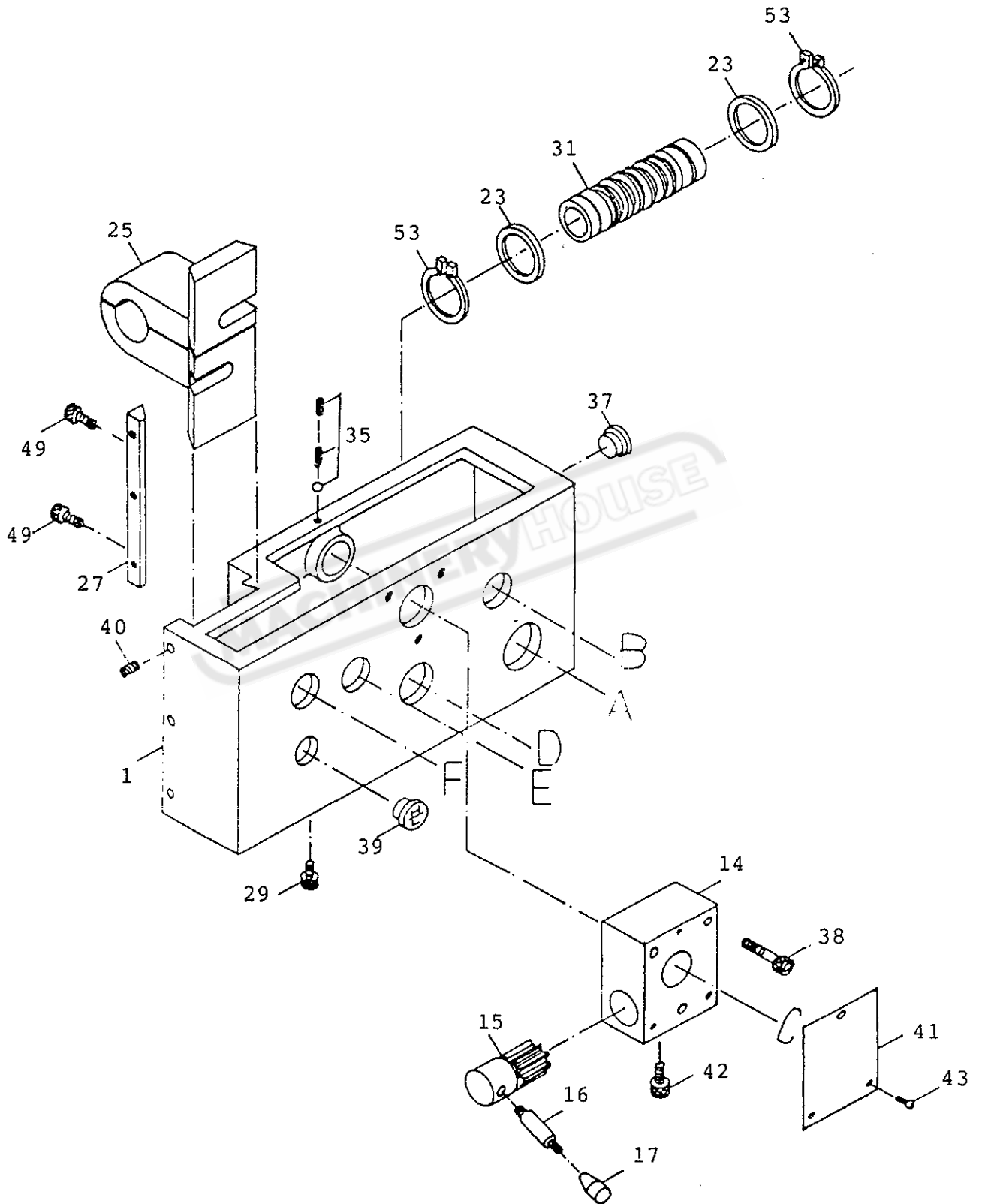
MACHINERYHOUSE



INCH GEAR BOX (GH TYPE)

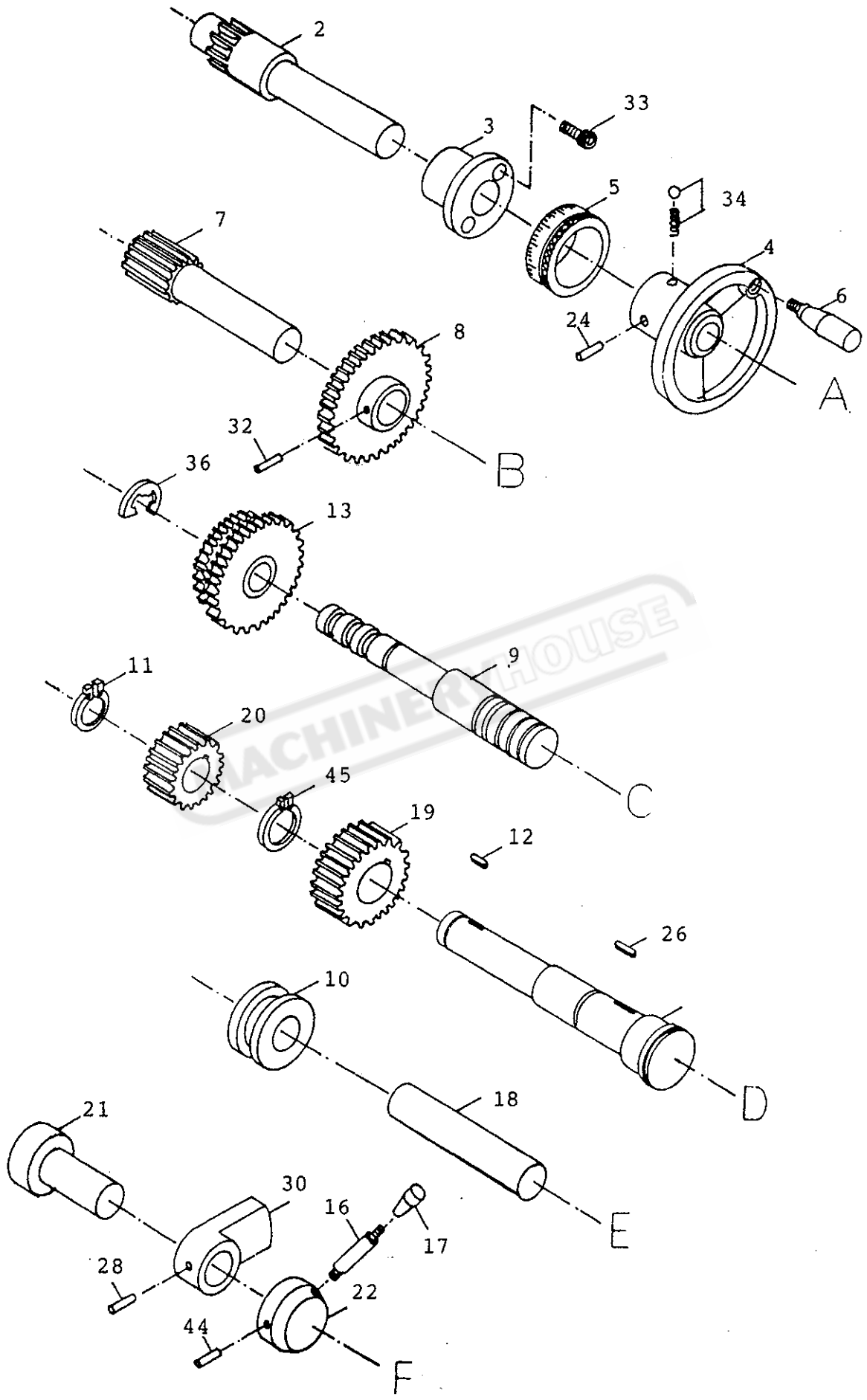
| REF.NO. | PART NO. | DESCRIPTION | Q'TY |
|---------|----------|-------------|------|
| 1 | 3203 | COVER | 1 |
| 2 | 3204 | SHAFT | 1 |
| 3 | 3222 | SHAFT | 1 |
| 4 | 3223 | SHAFT FRAME | 2 |
| 5 | 3224 | GEAR | 2 |
| 6 | 3226 | GEAR | 2 |
| 7 | 3232 | PLUNGER | 2 |
| 8 | 3266 | SPRING | 2 |
| 9 | 3233 | BUSH | 2 |
| 10 | 3234 | KNOB | 2 |
| 11 | 3225 | SHAFT | 2 |
| 12 | 3267 | NUT | 2 |
| 13 | 3207 | SHAFT | 1 |
| 14 | 3209 | SHAFT | 1 |
| 15 | 3220 | SHAFT | 1 |
| 16 | 3253 | SHAFT | 1 |
| 17 | 3205 | GEAR | 1 |
| 18 | 3206 | GEAR | 3 |
| 22 | 3240 | NUT | 1 |
| 23 | 3208 | GEAR | 1 |
| 24 | 3269 | GEAR | 1 |
| 34 | 3219 | GEAR | 1 |
| 35 | 3240 | NUT | 1 |
| 36 | 3208-1 | GEAR | 1 |
| 37 | 3221 | COLLAR | 1 |
| 38 | 3270 | KEY | 1 |
| 39 | 3271 | KEY | 1 |
| 40 | 3272 | KEY | 1 |
| 41 | 3273 | KEY | 1 |
| 42 | 3274 | KEY | 1 |
| 43 | 3275 | KEY | 1 |
| 44 | 3276 | KEY | 2 |
| 45 | 3277 | BEARING | 1 |
| 46 | 3278 | BEARING | 1 |
| 47 | 3279 | BEARING | 1 |
| 48 | 3280 | BEARING | 2 |
| 49 | 3281 | CIRCLIP | 1 |
| 50 | 3282 | CIRCLIP | 2 |
| 51 | 3283 | SCREW | 3 |
| 52 | 3288 | SCREW | 1 |
| 53 | 3289 | SCREW | 1 |
| 54 | 3290 | SCREW | 1 |
| 55 | 3291 | SCREW | 2 |
| 56 | 3284 | STEEL BALL | 2 |
| 57 | 3285 | SPRING | 2 |
| 58 | 3286 | SCREW | 2 |
| 60 | 3292 | GEAR | 1 |
| 61 | 3293 | GEAR | 1 |
| 62 | 3294 | GEAR | 1 |
| 63 | 3295 | GEAR | 1 |
| 64 | 3296 | GEAR | 1 |
| 65 | 3297 | GEAR | 1 |
| 66 | 3298 | GEAR | 1 |
| 67 | 3299 | GEAR | 1 |

APRON (Casting)



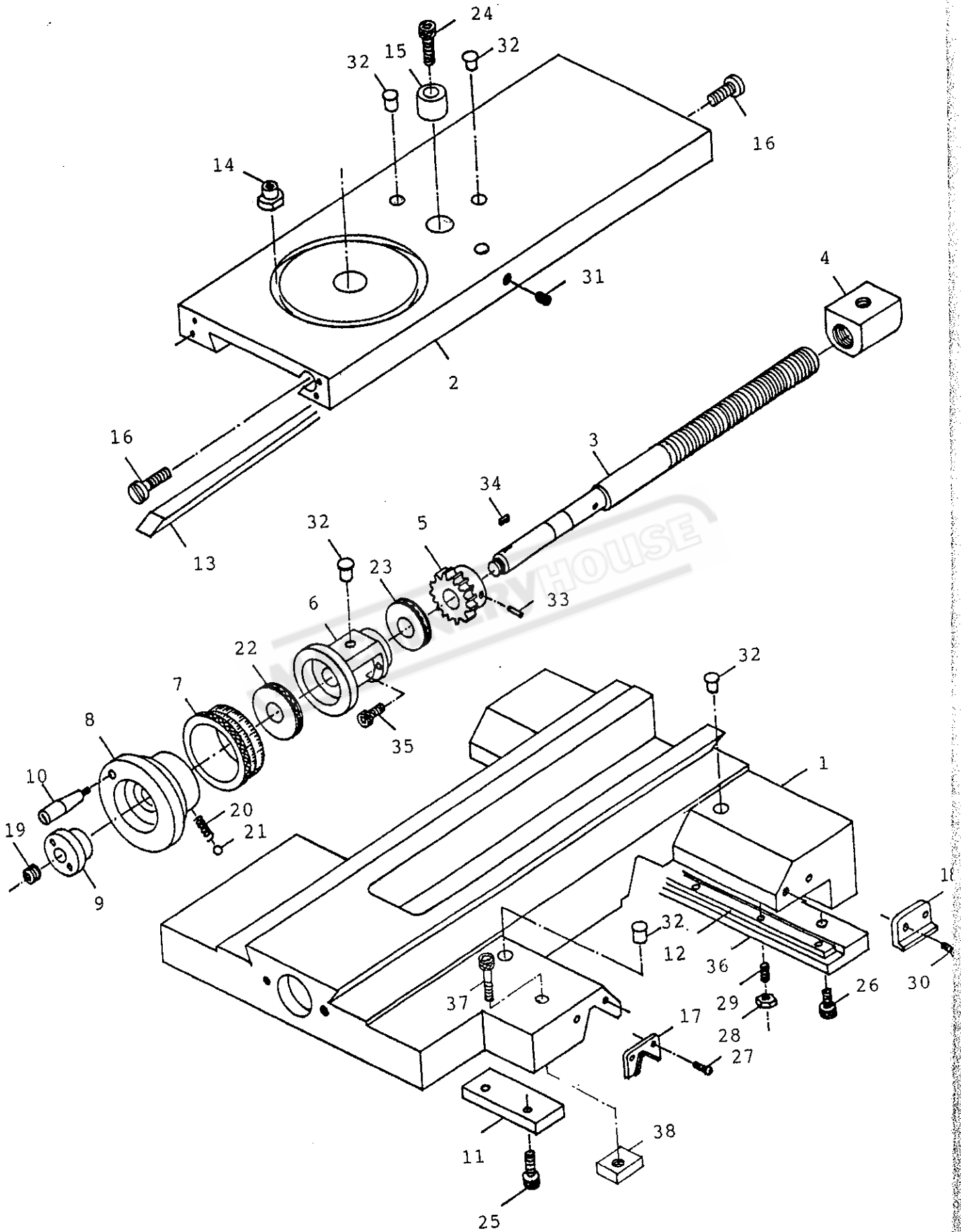
APRON (CASTING & SHAFT)

| REF.NO. | PART NO. | DESCRIPTION | Q'TY |
|---------|----------|------------------------------|------|
| 1 | 3301 | APRON CASTING | 1 |
| 14 | 3316 | BRACKET | 1 |
| 15 | 3317 | GEAR SHAFT | 1 |
| 16 | 3318 | LEVER | 1 |
| 17 | 3319 | PVC KNOB | 1 |
| 23 | 3325 | COLLAR | 1 |
| 25 | 3327 | HALF NUT CLUTCH | 2 |
| 27 | 3329 | GIB | 1 |
| 29 | 3358 | SCREW | 1 |
| 31 | 3333 | WORM | 1 |
| 35 | 3343 | STEEL BALL, SPRING AND SCREW | 1 |
| 37 | 3359 | PLUG | 1 |
| 38 | 3342 | SCREW | 1 |
| 39 | 3360 | OIL SIGHT | 3 |
| 40 | 3361 | SCREW | 1 |
| 41 | 3362 | PLATE | 3 |
| 42 | 3346 | SCREW | 1 |
| 43 | 3363 | SCREW | 1 |
| 49 | 3353 | SCREW | 3 |
| 53 | 3357 | CIRCLIP | 3 |
| | | | 2 |



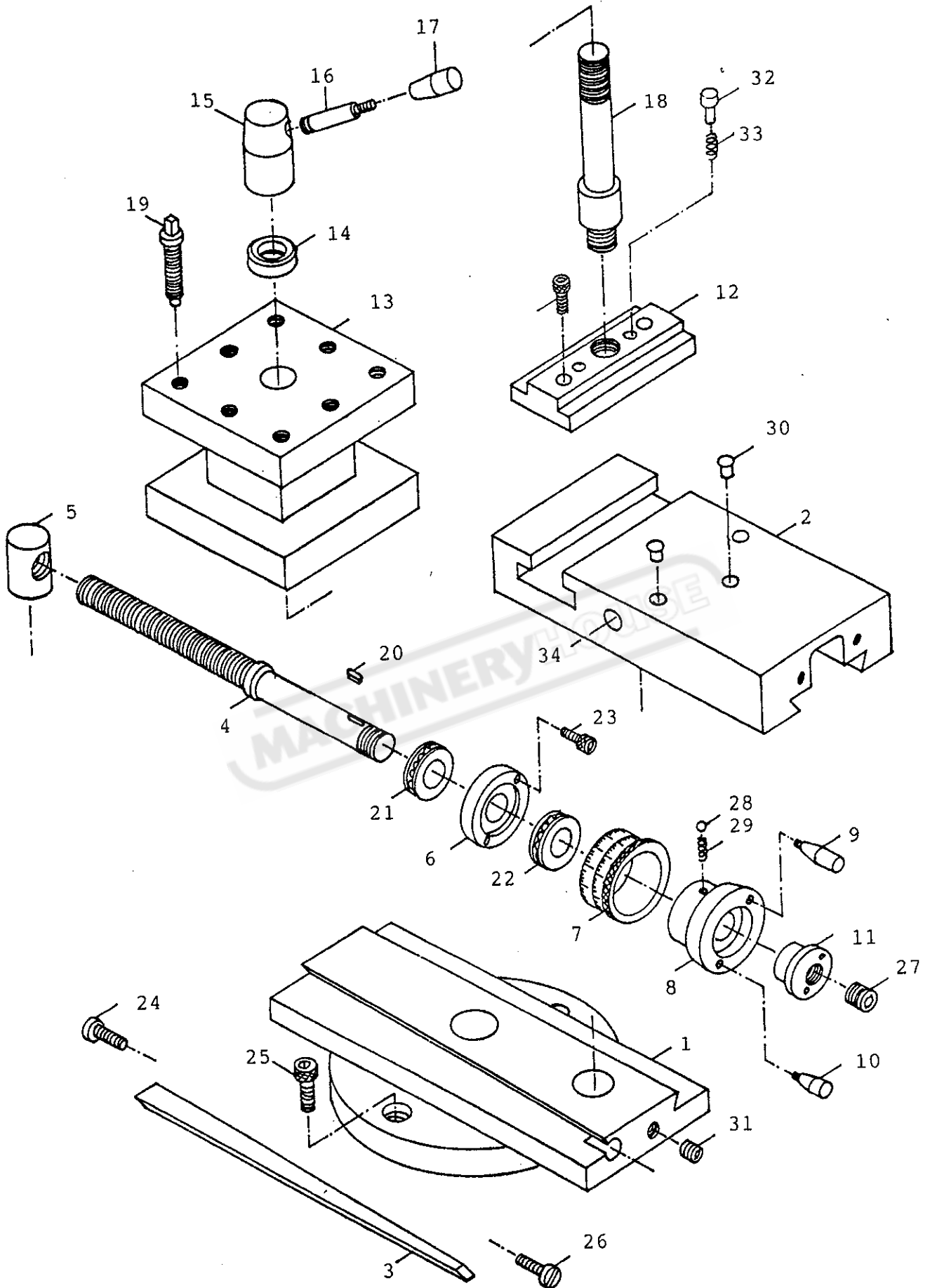
APRON (GEAR & SHAFT)

| REF.NO. | PART NO. | DESCRIPTION | Q'TY |
|---------|----------|-----------------------|------|
| 2 | 3303 | GEAR SHAFT | 1 |
| 3 | 3304 | BUSHING | 1 |
| 4 | 3305 | HANDWHEEL | 1 |
| 5 | 3306 | DIAL | 1 |
| 6 | 3308 | HANDLE | 1 |
| 7 | 3309 | GEAR SHAFT | 1 |
| 8 | 3310 | GEAR | 1 |
| 9 | 3311 | SHAFT | 1 |
| 10 | 3364 | BUSHING | 1 |
| 11 | 3365 | CIRCLIP | 1 |
| 12 | 3366 | KEY | 1 |
| 13 | 3367 | GEAR | 1 |
| 16 | 3318 | LEVER | 1 |
| 17 | 3319 | PVC KNOB | 1 |
| 18 | 3320 | SHAFT | 1 |
| 19 | 3368 | GEAR | 1 |
| 20 | 3369 | GEAR | 1 |
| 21 | 3323 | CAM SHAFT | 1 |
| 22 | 3324 | HANDLE | 1 |
| 24 | 3370 | PIN | 1 |
| 26 | 3371 | KEY | 1 |
| 28 | 3372 | PIN | 1 |
| 30 | 3373 | LOCK PLATE | 1 |
| 32 | 3307 | PIN | 1 |
| 33 | 3337 | SCREW | 1 |
| 34 | 3338 | STEEL BALL AND SPRING | 1 |
| 36 | 3340 | CIRCLIP | 1 |
| 44 | 3348 | PIN | 1 |
| 45 | 3374 | CIRCLIP | 1 |



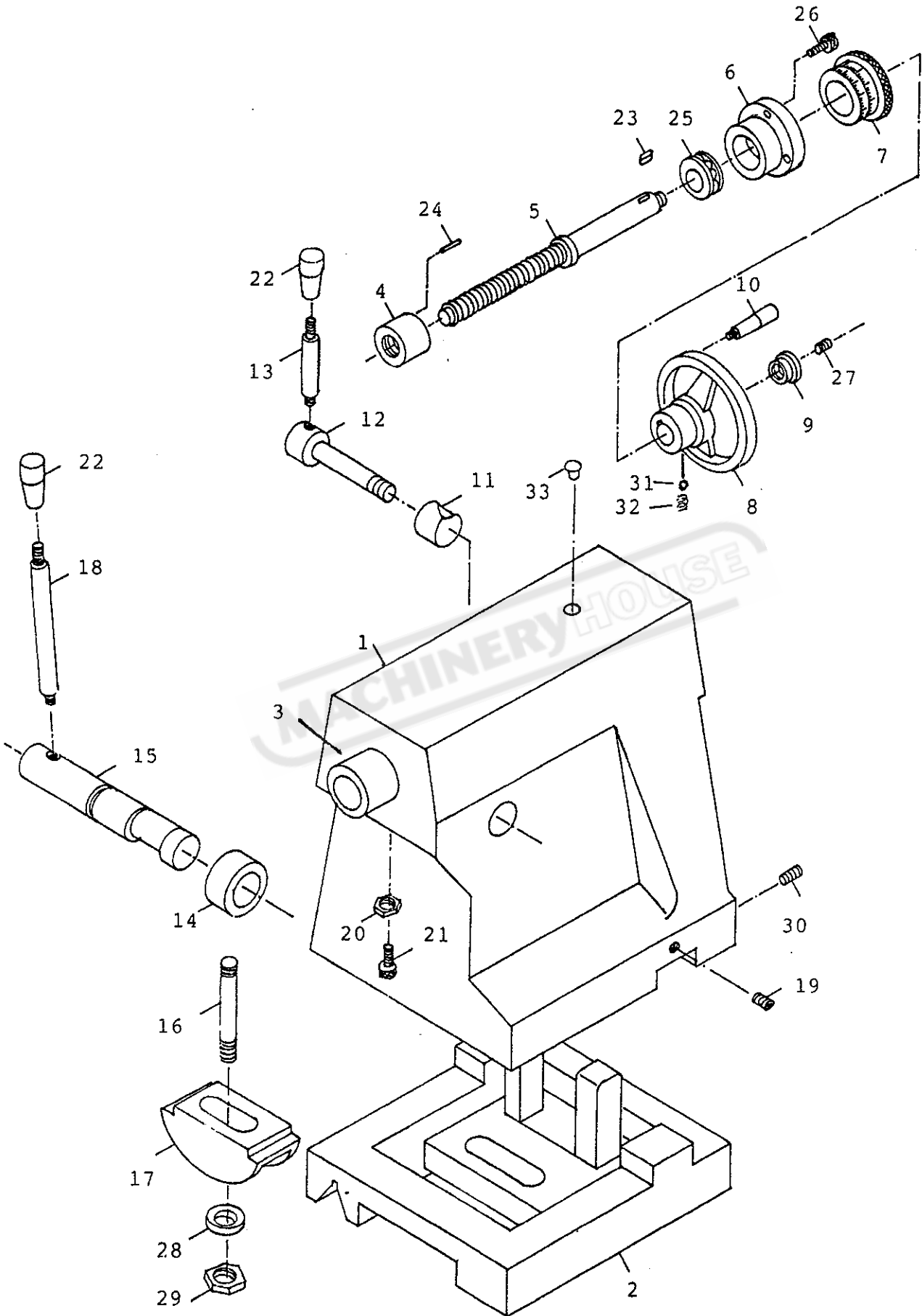
CARRIAGE

| REF.NO. | PART NO. | DESCRIPTION | Q'TY | REMARKS |
|---------|----------|------------------|------|---------|
| 1 | 3401 | SADDLE CASTING | 1 | |
| 2 | 3402 | CROSS SLIDE | 1 | |
| 3 | 3412 | CROSS FEED SCREW | 1 | |
| 4 | 3413 | NUT | 1 | |
| 5 | 3411 | GEAR | 1 | |
| 6 | 3414 | BUSHING | 1 | |
| 7 | 3415 | DIAL | 1 | |
| 8 | 3417 | HANDLE | 1 | |
| 9 | 3416 | NUT | 1 | |
| 10 | 3418 | GRIP | 1 | |
| 11 | 3405 | CLAMP FRONT | 1 | |
| 12 | 3404 | GIB | 1 | |
| 13 | 3408 | GIB | 1 | |
| 14 | 3419 | NUT | 2 | |
| 15 | 3410 | BUSHING | 1 | |
| 16 | 3409 | SCREW | 2 | |
| 17 | 3440 | WIPER | 2 | |
| 18 | 3439 | WIPER | 2 | |
| 19 | 3452 | SCREW | 1 | |
| 20 | 3453 | SPRING | 1 | |
| 21 | 3454 | STEEL BALL | 1 | |
| 22 | 3455 | BEARING | 1 | |
| 23 | 3456 | BEARING | 1 | |
| 24 | 3457 | SCREW | 1 | |
| 25 | 3458 | SCREW | 4 | |
| 26 | 3459 | SCREW | 2 | |
| 27 | 3460 | SCREW | 4 | |
| 28 | 3461 | NUT | 1 | |
| 29 | 3462 | SCREW | 1 | |
| 30 | 3463 | SCREW | 4 | |
| 31 | 3464 | SCREW | 1 | |
| 32 | 3465 | OIL CAP | 4 | |
| 33 | 3466 | SPRING PIN | 1 | |
| 34 | 3467 | KEY | 1 | |
| 35 | 3468 | SCREW | 2 | |
| 36 | 3403 | CLAMP REAR | 1 | |
| 37 | 3406 | SCREW | 1 | |
| 38 | 3407 | WASHER | 1 | |



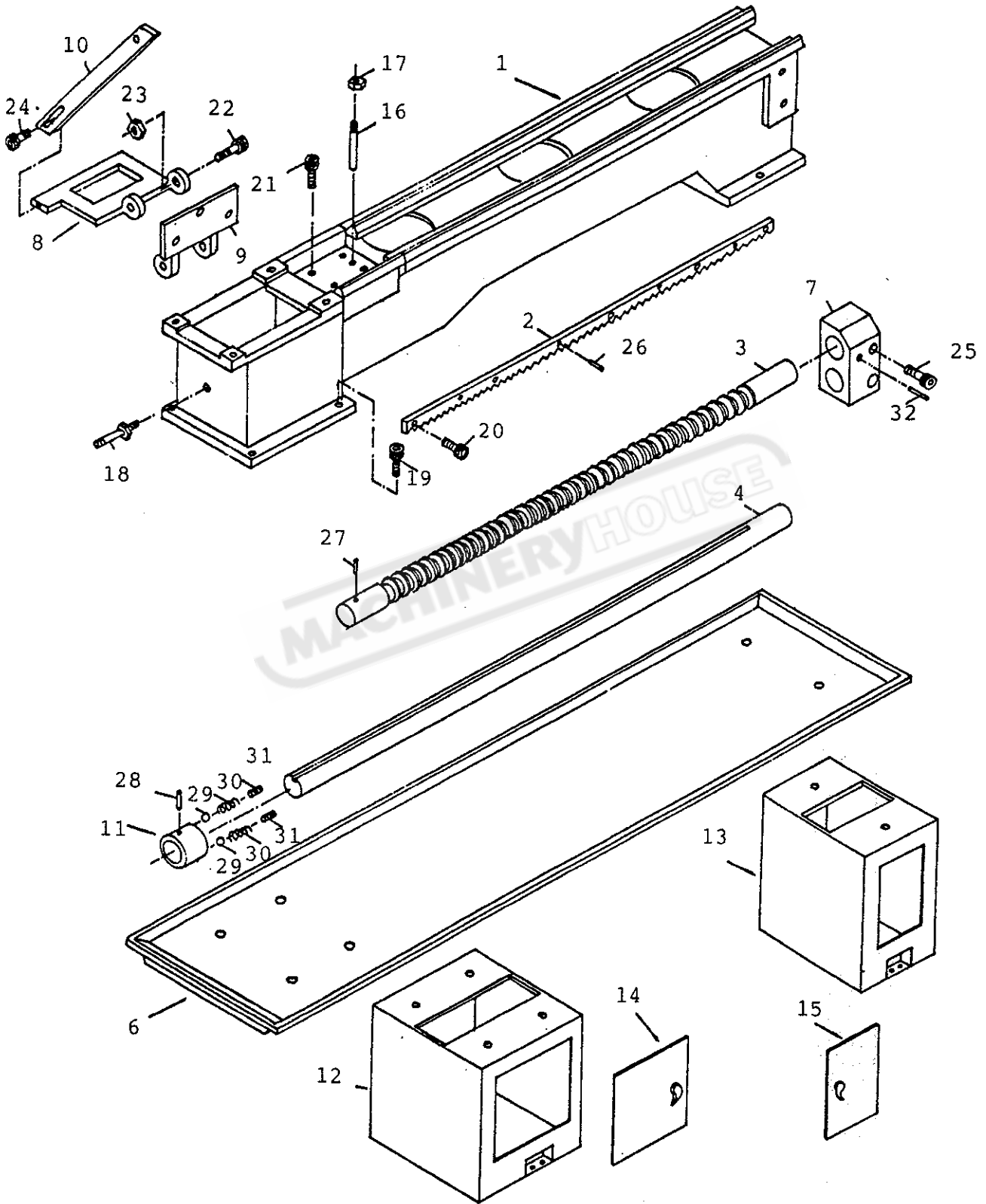
CROSS & COMPOUND SLIDES

| REF.NO. | PART NO. | DESCRIPTION | Q'TY | REMARKS |
|---------|----------|--------------|------|---------|
| 1 | 3420 | SWIVER SLIDE | 1 | |
| 2 | 3421 | TOP SLIDE | 1 | |
| 3 | 3422 | GIB | 1 | |
| 4 | 3425 | LEAD SCREW | 1 | |
| 5 | 3424 | NUT | 1 | |
| 6 | 3426 | BRACKET | 1 | |
| 7 | 3427 | DIAL | 1 | |
| 8 | 3428 | HANDWHEEL | 1 | |
| 9 | 3429 | GRIP | 1 | |
| 10 | 3430 | GRIP | 1 | |
| 11 | 3416 | NUT | 1 | |
| 12 | 3441 | NUT | 1 | |
| 13 | 3433 | TOOL POST | 1 | |
| 14 | 3434 | WASHER | 1 | |
| 15 | 3435 | HUB | 1 | |
| 16 | 3436 | LEVER | 1 | |
| 17 | 3437 | PVC KNOB | 1 | |
| 18 | 3432 | BOLT | 1 | |
| 19 | 3438 | SCREW | 8 | |
| 20 | 3442 | KEY | 1 | |
| 21 | 3443 | BEARING | 1 | |
| 22 | 3444 | BEARING | 1 | |
| 23 | 3445 | SCREW | 2 | |
| 24 | 3423 | SCREW | 1 | |
| 25 | 3446 | SCREW | 2 | |
| 26 | 3423 | SCREW | 1 | |
| 27 | 3447 | SCREW | 1 | |
| 28 | 3448 | STEEL BALL | 1 | |
| 29 | 3449 | SPRING | 1 | |
| 30 | 3450 | OIL CAP | 1 | |
| 31 | 3451 | SCREW | 1 | |
| 32 | 3431 | PIN | 1 | |
| 33 | 3469 | SPRING | 1 | |
| 34 | 3470 | SCREW | 1 | |



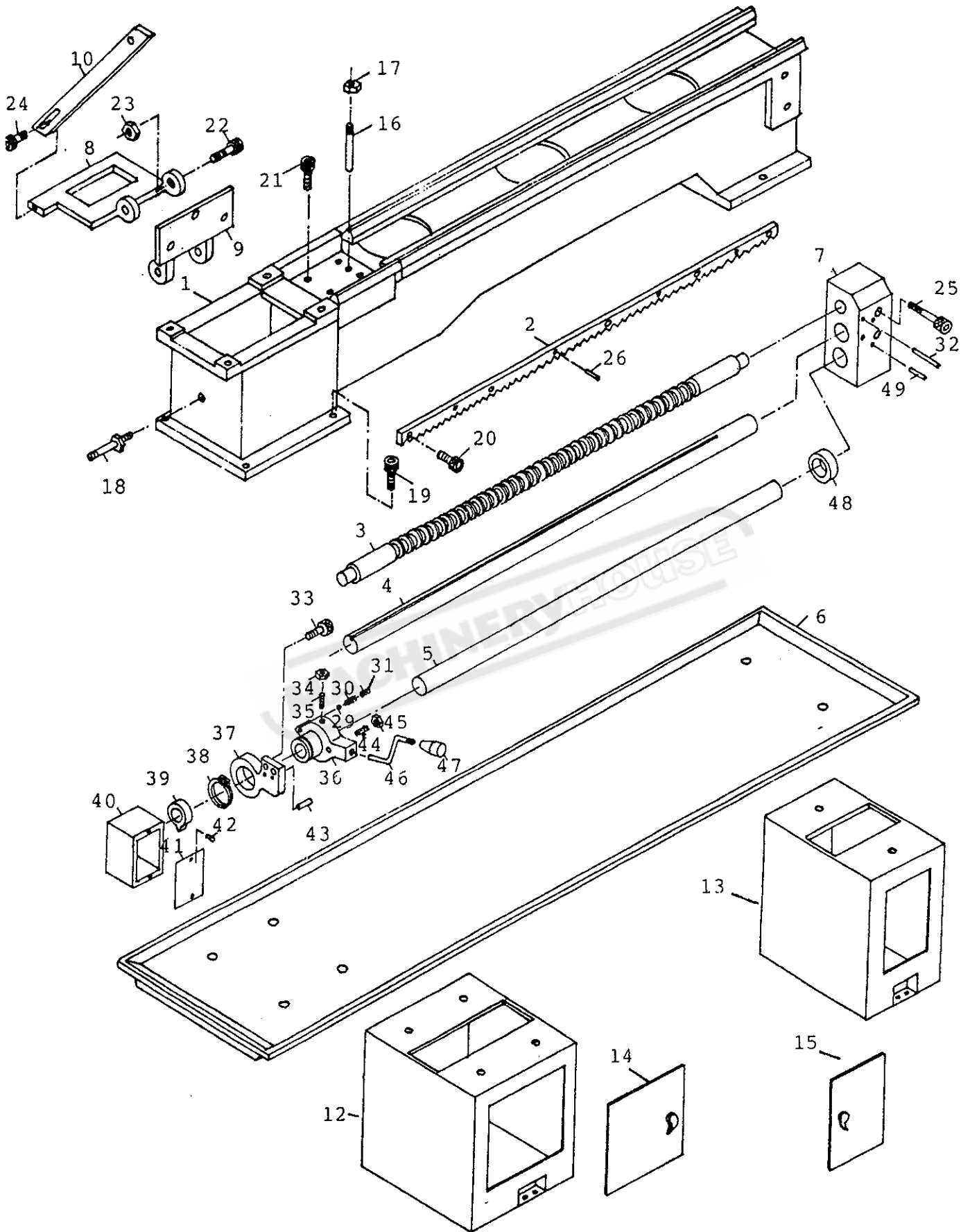
TAILSTOCK

| REF.NO. | PART NO. | DESCRIPTION | Q'TY | REMARKS |
|---------|----------|---------------|------|---------|
| 1 | 3501 | TAILSTOCK TOP | 1 | |
| 2 | 3502 | BASE | 1 | |
| 3 | 3503 | BARREL | 1 | |
| 4 | 3504 | NUT | 1 | |
| 5 | 3505 | FEED SCREW | 1 | |
| 6 | 3506 | BRACKET | 1 | |
| 7 | 3507 | DIAL | 1 | |
| 8 | 3508 | HANDWEEL | 1 | |
| 9 | 3509 | NUT | 1 | |
| 10 | 3510 | HANDLE | 1 | |
| 11 | 3511 | NUT | 1 | |
| 12 | 3512 | SHAFT | 1 | |
| 13 | 3513 | LEVER | 1 | |
| 14 | 3514 | COLLAR | 1 | |
| 15 | 3515 | CAM SHAFT | 1 | |
| 16 | 3516 | CLAMP BOLT | 1 | |
| 17 | 3517 | CLAMP PLATE | 1 | |
| 18 | 3518 | LEVER | 1 | |
| 19 | 3519 | SCREW | 2 | |
| 20 | 3520 | NUT | 1 | |
| 21 | 3521 | SCREW | 1 | |
| 22 | 3522 | PVC KNOB | 2 | |
| 23 | 3523 | KEY | 1 | |
| 24 | 3524 | PIN | 1 | |
| 25 | 3525 | BEARING | 1 | |
| 26 | 3526 | SCREW | 3 | |
| 27 | 3527 | SCREW | 1 | |
| 28 | 3528 | WASHER | 1 | |
| 29 | 3529 | NUT | 1 | |
| 30 | 3530 | SCREW | 2 | |
| 31 | 3531 | STEEL BALL | 1 | |
| 32 | 3532 | SPRING | 1 | |
| 33 | 3533 | OIL CUP | 1 | |



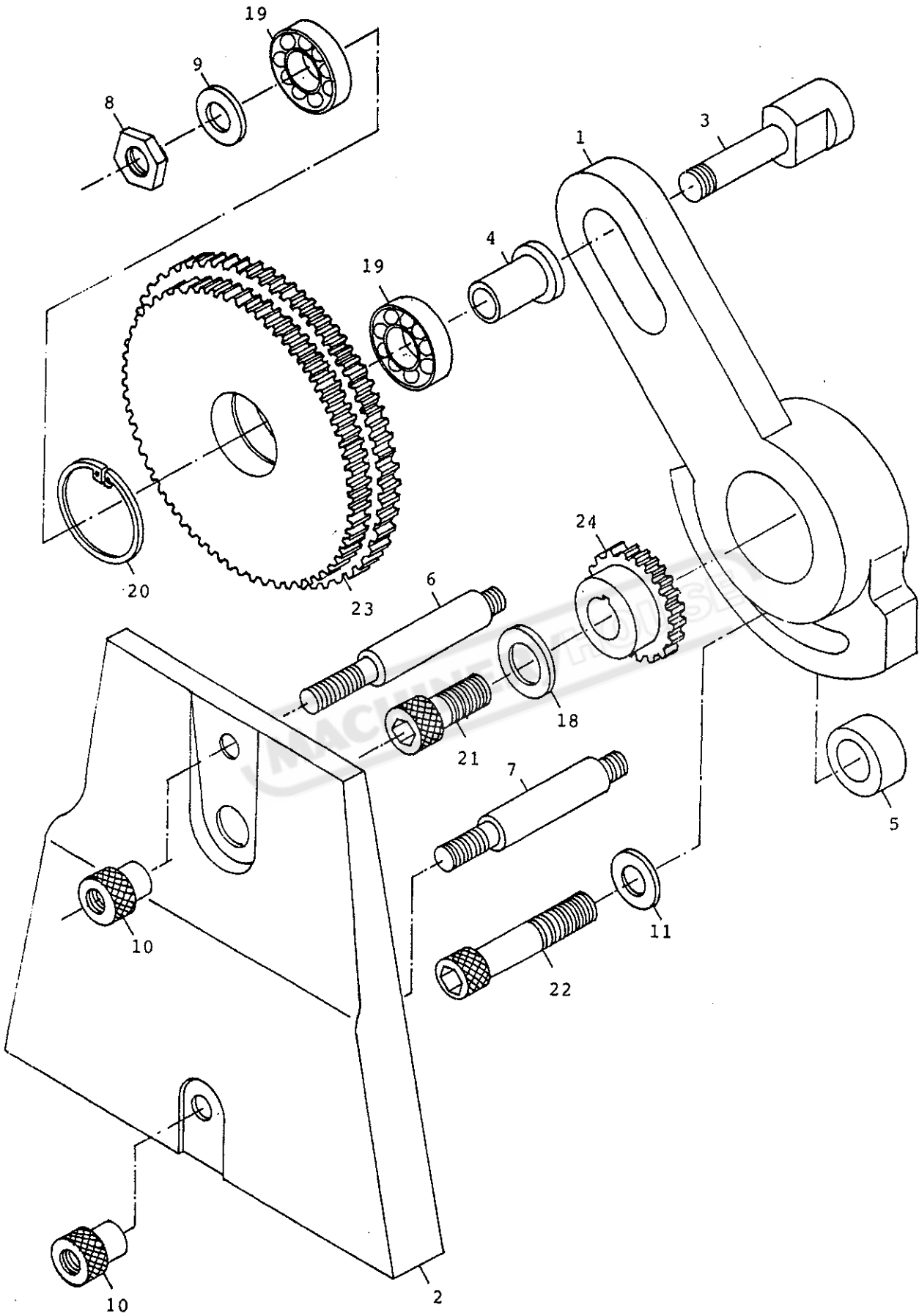
BED & SHAFTS (GEAR HEAD TYPE)

| REF.NO. | PART NO. | DESCRIPTION | Q'TY | REMARKS |
|---------|----------|----------------|------|---------|
| 1 | A-3601 | BED | 1 | |
| 2 | A-3603 | RACK | 1 | |
| 3 | A-3604 | LEAD SCREW | 1 | |
| 4 | A-3605 | SHAFT | 1 | |
| 6 | A-3608 | CHIP PAN | 1 | |
| 7 | A-3602 | END BRACKET | 1 | |
| 8 | A-3607 | MOTOR PLATE | 1 | |
| 9 | A-3606 | MOTOR PLATE | 1 | |
| 10 | A-3615 | ROD | 1 | |
| 11 | A-3609 | COLLAR(CLUTCH) | 1 | |
| 12 | A-3610 | LEFT PEDESTAL | 1 | |
| 13 | A-3611 | RIGHT PEDESTAL | 1 | |
| 14 | A-3612 | LEFT DOOR | 1 | |
| 15 | A-3613 | RIGHT DOOR | 1 | |
| 16 | A-3614 | PIN | 1 | |
| 17 | A-3616 | NUT | 1 | |
| 18 | A-3622 | SCREW | 1 | |
| 19 | A-3623 | SCREW | 6 | |
| 20 | A-3624 | SCREW | 4 | |
| 21 | A-3625 | SCREW | 4 | |
| 22 | A-3626 | SCREW | 2 | |
| 23 | A-3627 | NUT | 2 | |
| 24 | A-3628 | SCREW | 1 | |
| 25 | A-3629 | SCREW | 2 | |
| 26 | A-3630 | PIN | 3 | |
| 27 | A-3631 | SPRING PIN | 1 | |
| 28 | A-3632 | SPRING PIN | 1 | |
| 29 | A-3633 | STEEL BALL | 2 | |
| 30 | A-3634 | SPRING | 2 | |
| 31 | A-3635 | SCREW | 1 | |
| 32 | A-3636 | SPRING PIN | 1 | |



BED & SHAFTS (GEAR HEAD TYPE)

| REF.NO. | PART NO. | DESCRIPTION | Q'TY | REMARKS |
|---------|----------|-------------------------------|------|---------|
| 1 | A-3601 | BED | 1 | |
| 2 | A-3603 | PACK | 1 | |
| 3 | A-3604 | LEAD SCREW | 1 | |
| 4 | A-3605 | SHAFT | 1 | |
| 6 | A-3608 | CHIP PAN | 1 | |
| 7 | A-3602 | END BRACKET | 1 | |
| 8 | A-3607 | MOTOR PLATE | 1 | |
| 9 | A-3606 | MOTOR PLATE | 1 | |
| 10 | A-3615 | ROD | 1 | |
| 11 | A-3221 | COLLAR | 1 | |
| 12 | A-3701 | FLOOR STAND | 1 | |
| 13 | A-3702 | FLOOR STAND | 1 | |
| 14 | A-3703 | DOOR | 1 | |
| 15 | A-3704 | DOOR | 1 | |
| 16 | A-3705 | SHAFT | 1 | |
| 17 | A-3706 | NUT | 1 | |
| 18 | A-3707 | SCREW | 1 | |
| 19 | A-3708 | SCREW | 6 | |
| 20 | A-3622 | SCREW | 4 | |
| 21 | A-3709 | SCREW | 4 | |
| 22 | A-3623 | SCREW | 2 | |
| 23 | A-3624 | NUT | 2 | |
| 24 | A-3625 | SCREW | 2 | |
| 25 | A-3626 | SCREW | 1 | |
| 26 | A-3627 | PIN | 3 | |
| 27 | A-3628 | PIN | 1 | |
| 28 | A-3629 | PIN | 1 | |
| 29 | A-3630 | STEEL BALL | 2 | |
| 30 | A-3631 | SPRING | 2 | |
| 31 | A-3632 | SCREW | 2 | |
| 32 | A-3633 | SPRING | 1 | |
| 5 | A-3605 | SHAFT | 1 | |
| 33 | A-3634 | SCREW | 1 | |
| 34 | A-3635 | NUT | 1 | |
| 35 | A-3636 | SCREW | 1 | |
| 36 | A-3618 | ELECTROMOTIVE BUSH | 1 | |
| 37 | A-3617 | SPINDLE CONTROL SHAFT BRACKET | 1 | |
| 38 | A-3637 | CIRCLIP | 1 | |
| 39 | A-3638 | CRANK | 1 | |
| 40 | A-3620 | COVER | 1 | |
| 41 | A-3621 | COVER | 1 | |
| 42 | A-3639 | SCREW | 4 | |
| 43 | A-3640 | SPRING PIN | 1 | |
| 44 | A-3641 | SCREW | 1 | |
| 45 | A-3642 | NUT | 1 | |
| 46 | A-3619 | LEVER | 1 | |
| 47 | A-3643 | KNOB | 1 | |
| 48 | A-3644 | COLLAR | 1 | |
| 49 | A-3645 | PIN | 1 | |



BED GEAR & COVER (GH TYPE)

| REF.NO. | PART NO. | DESCRIPTION | Q'TY | REMARKS |
|---------|----------|-------------|------|---------|
| 1 | A-3617 | SWING FRAME | 1 | |
| 2 | A-3618 | END COVER | 1 | |
| 3 | A-3619 | BOLT | 1 | |
| 4 | A-3620 | BUSHING | 1 | |
| 5 | A-3621 | BUSHING | 1 | |
| 6 | A-3637 | SCREW | 1 | |
| 7 | A-3638 | SCREW | 1 | |
| 8 | A-3639 | NUT | 1 | |
| 9 | A-3640 | WASHER | 1 | |
| 10 | A-3641 | NUT | 2 | |
| 11 | A-3642 | WASHER | 1 | |
| 22 | A-3647 | SCREW | 1 | |
| 23 | A-3648 | GEAR | 1 | |
| 21 | A-3646 | SCREW | 1 | |
| 24 | A-3649 | GEAR | 1 | |
| 19 | A-3644 | BEARING | 2 | |
| 20 | A-3645 | CIRCLIP | 1 | |
| 18 | A-3643 | WASHER | 1 | |